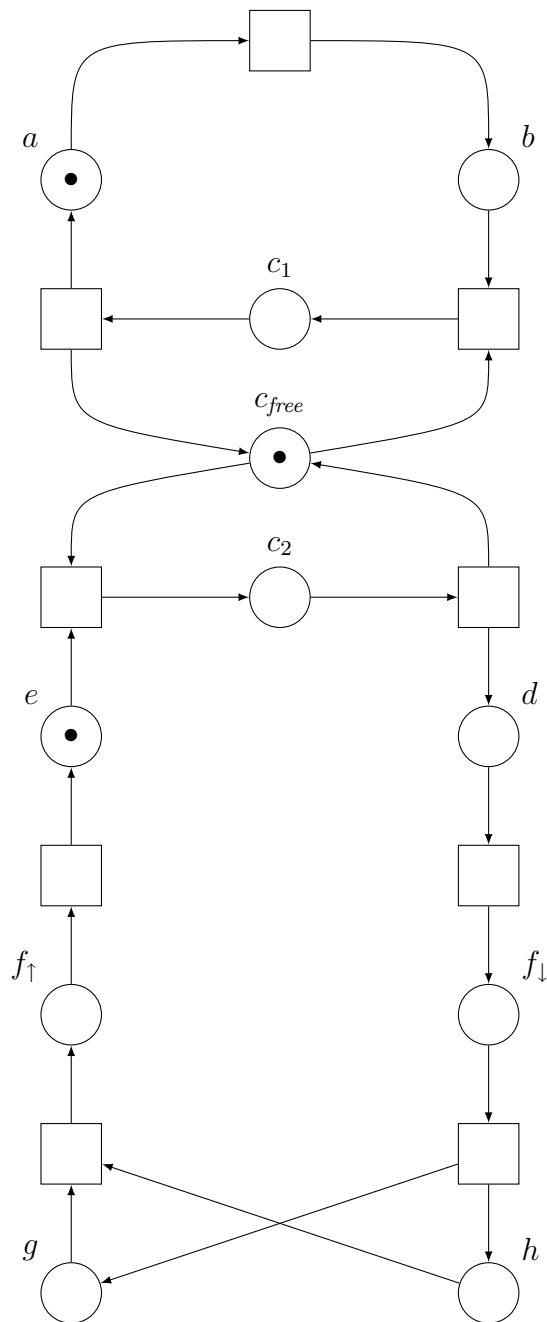


Networks and Processes

Sample Solutions to Exercise 2

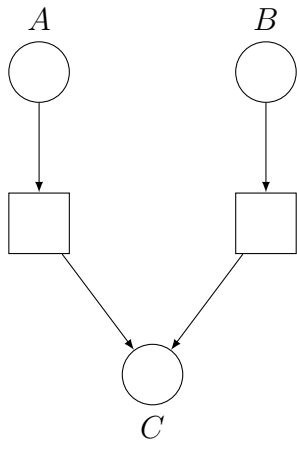
Discussion on – 20.11.2008, 15h45 (submissions of solutions are highly recommended, either before or after the exercise session)

1.

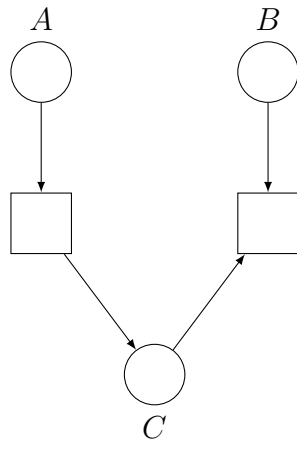


2.

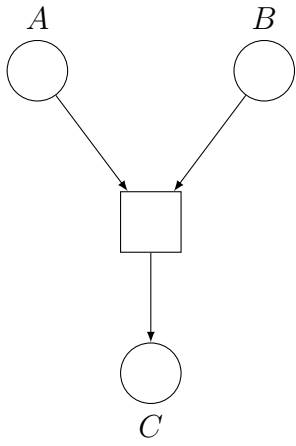
a)



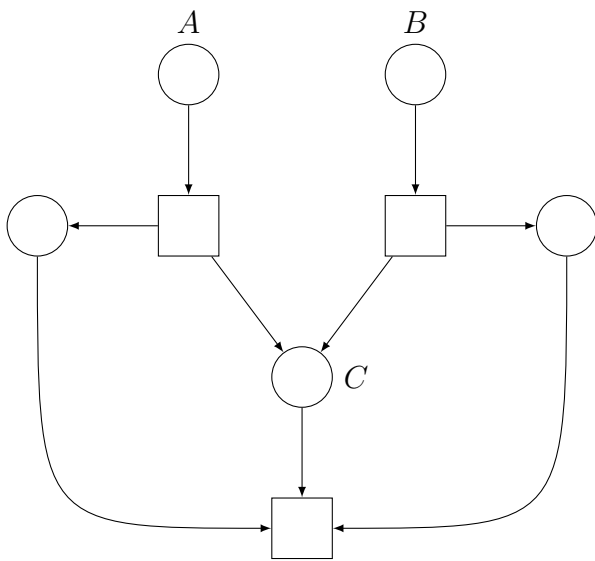
b)



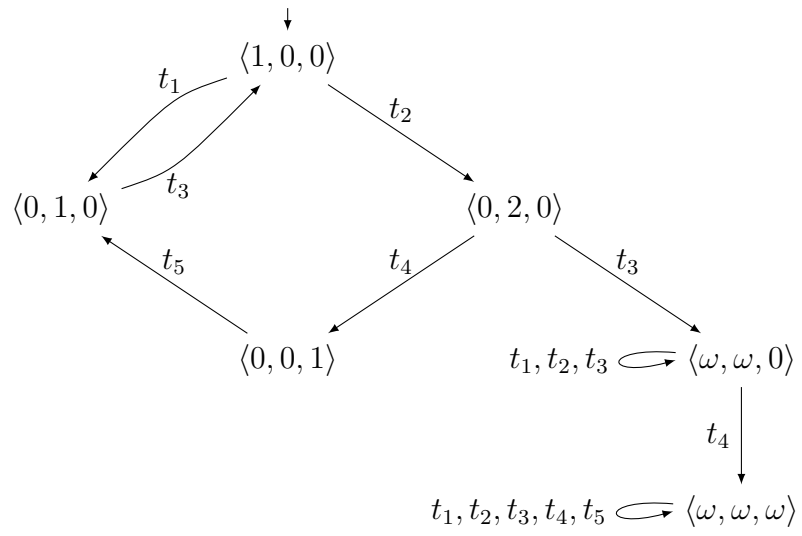
c)



d)



3. a)



b) The construction using stack in this case leads to the same graph as in a).